

Model Code / Additional Spec. Code (No entry if additional spec, code is not specified.)

VM-721B /NB1 /CSU /TRP /TB

	Non-incendive	Custom setup	Tropical spec.	I/O terminal block for:	
1	CSA C/US: Class I, Division 2, Groups A,B,C and D			1	VM-761B instrument rack
				2	VM-762B instrument rack

Specification

OUTPUT

Indicators : ACTIVE LED (Green)
 On : Normal
 Flash : The module is installed in slots other than Slot 11

Contact output : Number of outputs : 18 points(logic changeable)
 Contact type : Dry contact (SPST)
 Select for N.O. / N.C. contact by internal jumper.
 Energization method: Normally de-energized or Normally energized field changeable
 Contact capacity : 250VAC / 5A, 30VDC / 5A

ENVIRONMENTAL CONDITION

Operating temperature : 0 to +65°C
 Operating temperature at explosion proof construction : 0 to +60°C
 Storage temperature : -30 to +85°C
 Relative humidity : 20 to 95%RH (non-condensing)

POWER CONSUMPTION

Module : Less than 15W

MATERIAL AND FINISH

Face plate : ABS (Black)
 Sheet : Polyester tough top (Gray)
 Base plate : Aluminium alloy (Silver)

MASS

Body : Max. 1.0kg (2.2lb)

ACCESSORY SPECIFICATION CODE / IDENTIFIED BY TB

Code	Accessory	Quantity (Part Code)
/TB1	18 channel relay module output terminal block plug (18pin) FRONT-MC-1.5/18-STF-3.81 (PHOENIX CONTACT)	2pieces ^{*1} (7072NAA)
/TB2	18 channel relay module output terminal block plug (18pin) FRONT-MC-1.5/18-STF-3.81 (PHOENIX CONTACT)	2pieces ^{*1} (7072NAA)

Note)*1 When individually ordering specify the parts code, it is require to arrange for a necessary amount.



WARNING

Some functions may not be available with old version.
 For details, please refer to "infiSYS Family Improvement Information" (6H16-011).

OTHERS

Note) The relay module is possible to install only one module in a rack.
 The module should be install to slot. 11.
 VM-772B Device Config is necessary to program the logic of output contact.

Default Value

CONTACT OUTPUT

Contact (RELAY1) : Slot 1 DANGER
 Contact (RELAY2) : Slot 1 ALERT
 Contact (RELAY3) : Slot 2 DANGER
 Contact (RELAY4) : Slot 2 ALERT
 Contact (RELAY5) : Slot 3 DANGER
 Contact (RELAY6) : Slot 3 ALERT
 Contact (RELAY7) : Slot 4 DANGER
 Contact (RELAY8) : Slot 4 ALERT
 Contact (RELAY9) : Slot 5 DANGER
 Contact (RELAY10) : Slot 5 ALERT
 Contact (RELAY11) : Slot 6 DANGER
 Contact (RELAY12) : Slot 6 ALERT
 Contact (RELAY13) : Slot 7 DANGER
 Contact (RELAY14) : Slot 7 ALERT
 Contact (RELAY15) : Slot 8 DANGER
 Contact (RELAY16) : Slot 8 ALERT
 Contact (RELAY17) : Slot 9 DANGER
 Contact (RELAY18) : Slot 9 ALERT

CONTACT OUTPUT

Energization method : Normally de-energized
 Contact Type : N.O. (Normally Open) Contact

OTHERS

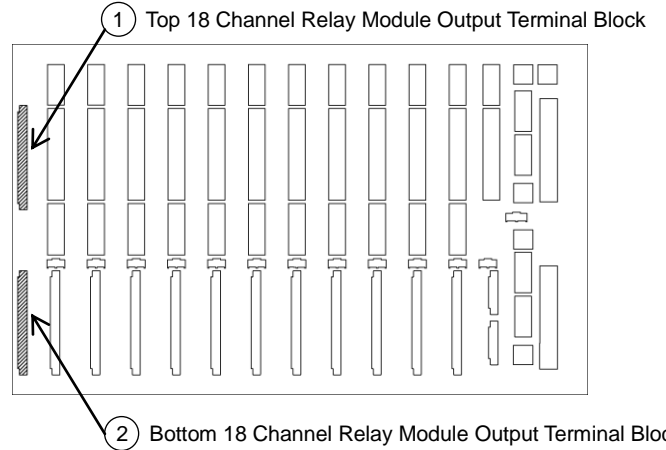
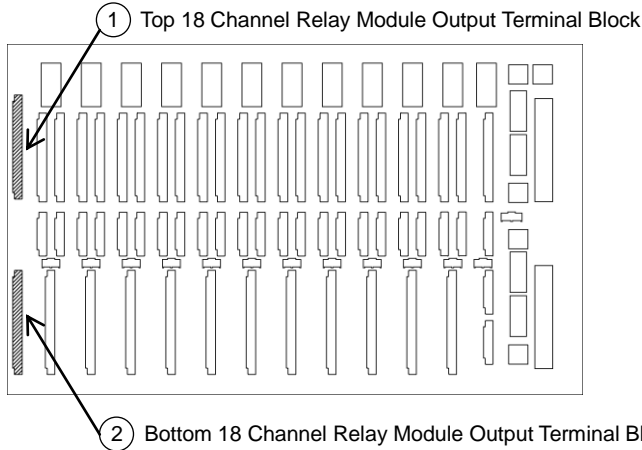
Alarm Contact Operation

Contact type	Energization method	Power OFF	Power ON	
			Normal state	Alarm state
N.O. contact	NORMALLY DE-ENERGIZED	OPEN	OPEN	CLOSE
	NORMALLY ENERGIZED	OPEN	CLOSE	OPEN
N.C. contact	NORMALLY DE-ENERGIZED	CLOSE	CLOSE	OPEN
	NORMALLY ENERGIZED	CLOSE	OPEN	CLOSE

Plug/ Terminal Block (Connector) Pin Assignment

VM-761B Instrument Rack
(Back)

VM-762B Instrument Rack
(Back)



	Back of Instrument Rack	Plug/ Terminal Block (Connector) Pin Assignment	Fitting Plug	Part Code																																				
①		<table border="1"> <tr><td>A1</td><td>RL1</td></tr> <tr><td>A2</td><td>RL1</td></tr> <tr><td>A3</td><td>RL2</td></tr> <tr><td>A4</td><td>RL2</td></tr> <tr><td>A5</td><td>RL3</td></tr> <tr><td>A6</td><td>RL3</td></tr> <tr><td>A7</td><td>RL4</td></tr> <tr><td>A8</td><td>RL4</td></tr> <tr><td>A9</td><td>RL5</td></tr> <tr><td>A10</td><td>RL5</td></tr> <tr><td>A11</td><td>RL6</td></tr> <tr><td>A12</td><td>RL6</td></tr> <tr><td>A13</td><td>RL7</td></tr> <tr><td>A14</td><td>RL7</td></tr> <tr><td>A15</td><td>RL8</td></tr> <tr><td>A16</td><td>RL8</td></tr> <tr><td>A17</td><td>RL9</td></tr> <tr><td>A18</td><td>RL9</td></tr> </table>	A1	RL1	A2	RL1	A3	RL2	A4	RL2	A5	RL3	A6	RL3	A7	RL4	A8	RL4	A9	RL5	A10	RL5	A11	RL6	A12	RL6	A13	RL7	A14	RL7	A15	RL8	A16	RL8	A17	RL9	A18	RL9		7072NAA
A1	RL1																																							
A2	RL1																																							
A3	RL2																																							
A4	RL2																																							
A5	RL3																																							
A6	RL3																																							
A7	RL4																																							
A8	RL4																																							
A9	RL5																																							
A10	RL5																																							
A11	RL6																																							
A12	RL6																																							
A13	RL7																																							
A14	RL7																																							
A15	RL8																																							
A16	RL8																																							
A17	RL9																																							
A18	RL9																																							
②		<table border="1"> <tr><td>B1</td><td>RL10</td></tr> <tr><td>B2</td><td>RL10</td></tr> <tr><td>B3</td><td>RL11</td></tr> <tr><td>B4</td><td>RL11</td></tr> <tr><td>B5</td><td>RL12</td></tr> <tr><td>B6</td><td>RL12</td></tr> <tr><td>B7</td><td>RL13</td></tr> <tr><td>B8</td><td>RL13</td></tr> <tr><td>B9</td><td>RL14</td></tr> <tr><td>B10</td><td>RL14</td></tr> <tr><td>B11</td><td>RL15</td></tr> <tr><td>B12</td><td>RL15</td></tr> <tr><td>B13</td><td>RL16</td></tr> <tr><td>B14</td><td>RL16</td></tr> <tr><td>B15</td><td>RL17</td></tr> <tr><td>B16</td><td>RL17</td></tr> <tr><td>B17</td><td>RL18</td></tr> <tr><td>B18</td><td>RL18</td></tr> </table>	B1	RL10	B2	RL10	B3	RL11	B4	RL11	B5	RL12	B6	RL12	B7	RL13	B8	RL13	B9	RL14	B10	RL14	B11	RL15	B12	RL15	B13	RL16	B14	RL16	B15	RL17	B16	RL17	B17	RL18	B18	RL18		7072NAA
B1	RL10																																							
B2	RL10																																							
B3	RL11																																							
B4	RL11																																							
B5	RL12																																							
B6	RL12																																							
B7	RL13																																							
B8	RL13																																							
B9	RL14																																							
B10	RL14																																							
B11	RL15																																							
B12	RL15																																							
B13	RL16																																							
B14	RL16																																							
B15	RL17																																							
B16	RL17																																							
B17	RL18																																							
B18	RL18																																							

Note) For the accessory specification code “/TB□”, the fitting terminal block plugs ① ② are included.