

Model Code / Additional Spec. Code (No entry if additional spec. code is not specified.)

VM-772B /SU0

Setup *1

*1 A PC is required. Setup option includes initial setup of the PC, installation of the software and PC address setting.

Specification

SYSTEM REQUIREMENTS

HARDWARE REQUIREMENTS

PC/AT compatible personal computer	
Processor	Intel Pentium® compatible (1GHz or higher) processor clock speed recommended
Memory	1GB or higher recommended
Display	1024 X 768 or higher-resolution is recommended
Hard disk drive	1GB of available hard-disk space
Drive	CD-ROM drive
Network	USB 2.0 / 1.1 Ethernet 100 BASE-TX

SOFTWARE REQUIREMENTS

Category	Model	Edition	Version
OS	Microsoft® Windows® 10 (32/64bit)	Pro	Any
	Microsoft® Windows® 10 (64bit)	Enterprise	2021LTSC
	Microsoft® Windows® 10 IoT (64bit)	Enterprise	2021LTSC
	Microsoft® Windows® 11 (64bit)	Pro	Any
	Microsoft® Windows Server® 2022 (64bit)	Standard	Any
Others	Microsoft® Windows® installer	—	3.1 or later
	Microsoft® .NET Framework	—	3.5
	FTDI Virtual COM Port Driver (for USB)	—	Any

CONNECTION

Supported devices : VM-7B Monitor, VM-7 Monitor²,
DAQpod DP-2000 infiSYS Data Acquisition Unit
DAQpod AP-2000 infiSYS Data Acquisition Unit

Total input : 1 device³

² Modules with firmware versions V0.9.0 or later are required.

³ The number of devices connected at the same time is limited to 1. Connected device can be changed by altering the IP address, if the connection is made via Ethernet.

COMMUNICATION (Ethernet)

Network : Ethernet 100Base-TX
Protocol : TCP/IP

※ Using Ethernet connection, the software cannot connect to devices while VM-771B MCL View is connected.

COMMUNICATION (USB)

Network : USB 2.0 / 1.1
Protocol : Serial communications

DEVICE CONFIGURATION MANAGEMENT (VM-7B Monitor)

Configuration change : Monitor Type, Channel Type
Paramter change : Parameter setting of Phaser Marker, Channel (Measurement, Alarm, Analysis), Relay, Communication, etc.
Adjustment : GAP, Measure, Zero Shift, etc.
Others : Simulated value setting (for demo-mode), Acquisition of login history, Time setting, Modbus communication setting (address assignment, scaling)

DEVICE CONFIGURATION MANAGEMENT (VM-7 Monitor)

Configuration change : Monitor Type, Channel Type
Paramter change : Parameter setting of Phaser Marker, Channel (Measurement, Alarm), Relay, Communication, etc.
Adjustment : GAP, Measure, Zero Shift, etc.
Others : Simulated Value Setting (for demo-mode), Acquisition of login history, Time setting, Modbus communication setting (address assignment, scaling)

DEVICE CONFIGURATION MANAGEMENT (DAQpod DP-2000)

Configuration change : Monitor Type, Channel Type
Paramter change : Parameter setting of Phaser Marker, Channel (Measurement, Analysis), Communication, etc.
Adjustment : GAP for phase marker board, Voltage input for analysis board, etc.
Others : Time setting

DEVICE CONFIGURATION MANAGEMENT (DAQpod AP-2000)

Configuration change : Monitor Type, Channel Type
Paramter change : Parameter setting of Phaser Marker, Channel (Measurement, Analysis), Communication, etc.
Adjustment : GAP for phase marker board, Voltage input for analysis board, etc.
Others : Time setting

OTHER FUNCTIONS

Device info. display : GAP (bias) voltage, measured value, analysis data (amplitude, phase, etc), time, etc.
Password protection : Password authentication on start-up and mode change to "Device Setup".
Offline configuration : Creates files without connecting to a device.

SOFTWARE DISTRIBUTION MEDIA

Media : CD-ROM



WARNING

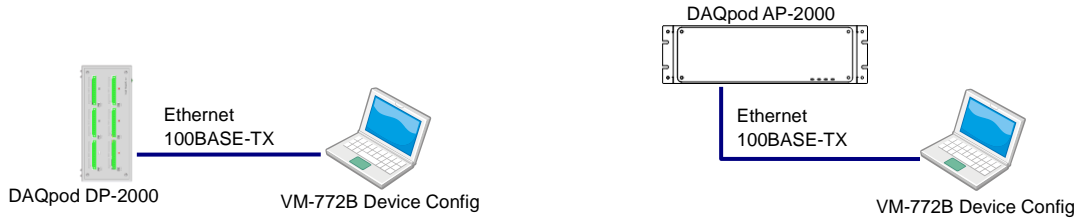
Some functions may not be available with old version. For details, please refer to "infiSYS Family Improvement Information" (6H16-011).

OTHERS

The XML files saved on VM-772B Device Config are used for device registration on VM-773B infiSYS Analysis View.

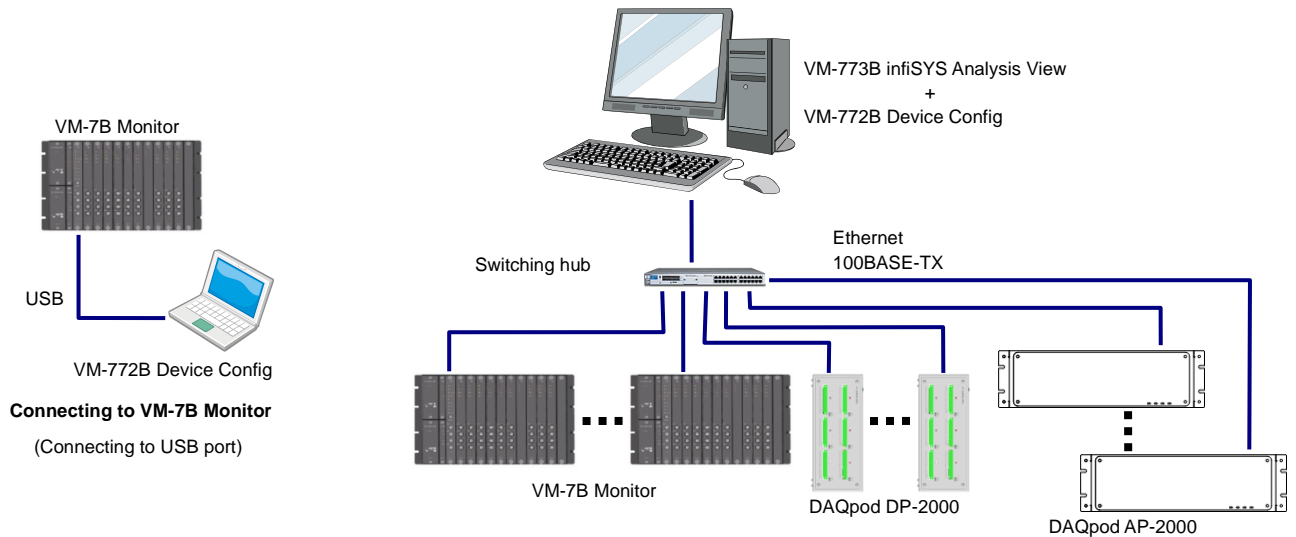
※ The specifications and other items indicated herein are subject to change without notice.
※ All company and product names in this brochure are trademarks or registered trademarks.

System Configuration



Connecting to DAQpod DP-2000 infiSYS Data Acquisition Unit
(Connecting to Ethernet port)

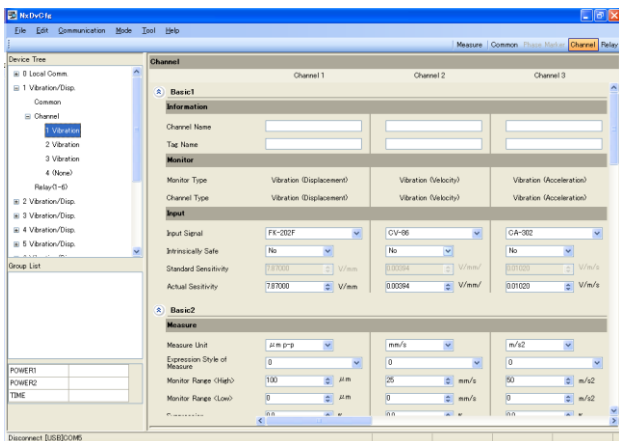
Connecting to DAQpod AP-2000 infiSYS Data Acquisition Unit
(Connecting to Ethernet port)



Connecting to multiple devices (alter the IP address to connect / configure)

Example of Screen

MAIN SCREEN



※Actual screens may differ from the images shown in this document.